



3890 North Peachtree Road, Atlanta, GA 30341

Phone: 770.458.5900

Fax: 770.458.0892

Email: info@linerfactory.com

Website: www.linerfactory.com

VINYL LINER ORDER FORM

Name _____ Date _____
 Billing Address _____
 City _____ State _____ Zip _____
 Phone _____ - _____ - _____ Alternate Phone _____ - _____ - _____
 Email: _____

SHIP TO: Name _____ Phone _____ - _____ - _____
 Address _____
 City _____ State _____ Zip _____

PAYMENT ARRANGEMENTS

Payment Type: Cash\$ _____ Check\$ _____ Credit\$ _____
 Card Number _____ Exp _____ CVS Code _____
 Billing Address if different than above _____
 City _____ State _____ Zip _____

TYPE LINER: STANDARD BEAD OVERLAP _____ inches OTHER _____
 WALL PATTERN _____ ROMAN END SHALLOW ROMAN END DEEP
 FLOOR PATTERN _____ SEPARATE DRAWING SUBMITTED WITH THIS ORDER

Include a separate drawing for pools with steps, roman ends, special shaped pools such as kidney, figure 8 and all custom shape pools (with A & B dimensions) SPECIAL INSTRUCTIONS _____

DIMENSIONS: (measure from bead receptor to finished bottom)

A	D	E	F	G	L	W
B	H	I	H	H ₁	H ₁	X
C	C ₁	N	O	P	K	M
J	A ₁	A ₂	A ₃	A ₄	B ₁	B ₂
Z ₁	Z ₂	Z ₃	Z ₄	R	Q	S

CORNERS:

SQUARE _____

RADIUS _____

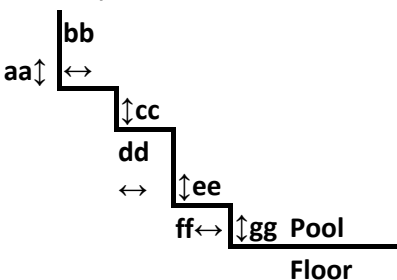
DIAGONAL _____

Is the pool square?

VINYL STEP DETAIL

STEP WIDTH _____ LENGTH _____

Tread/Riser Detail



aa	
bb	
cc	
dd	
ee	
ff	
gg	
hh	
ii	
jj	
kk	

BOTTOM STEP

Recessed Flush

NO. Inches _____

TOP STEP CORNER

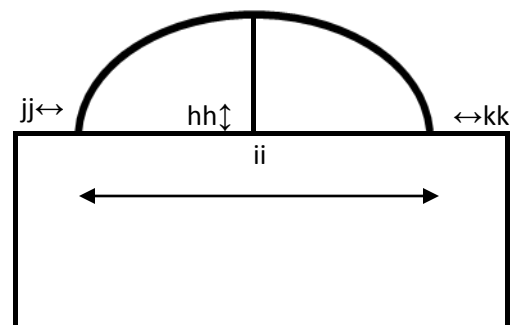
Radius _____" Square

Center Step

Side Step

Offset from Corner _____

ROMAN END DETAIL



SPARTAN™ POOL LINERS

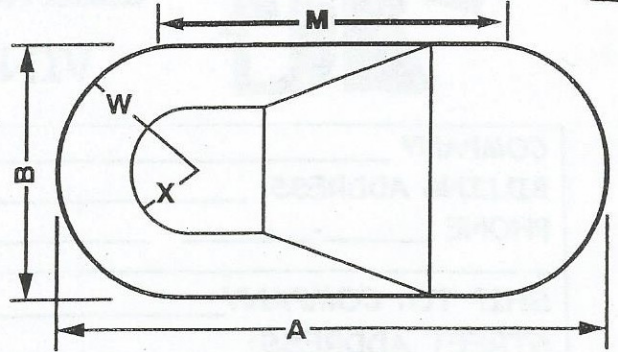
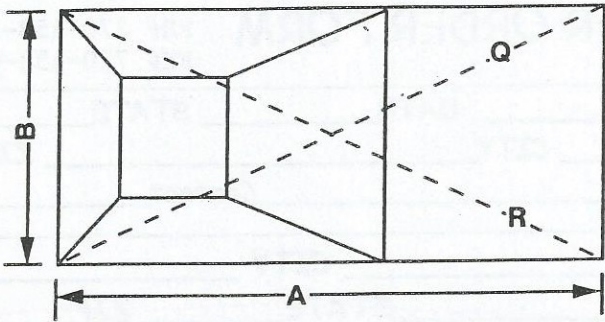
Name _____

Phone _____

POOL SHAPE—please indicate which is the shape of your pool.

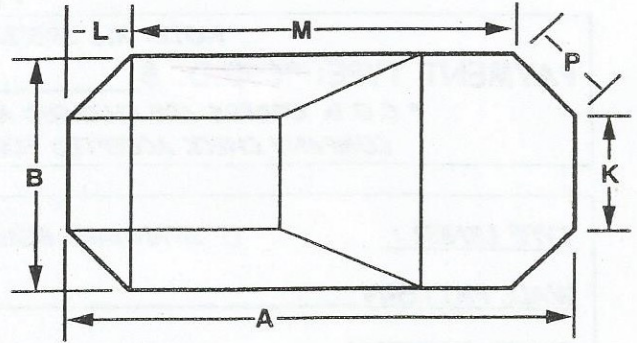
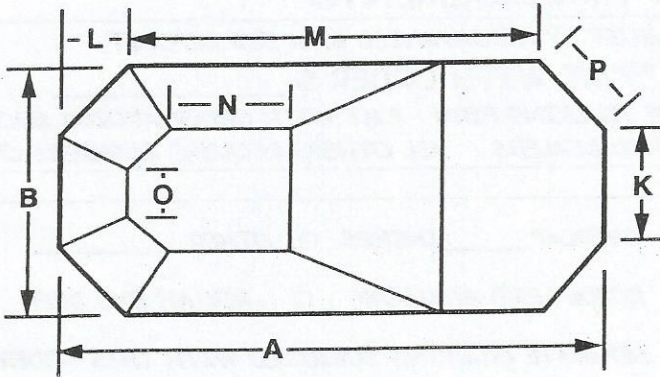
RECTANGLE

OVAL



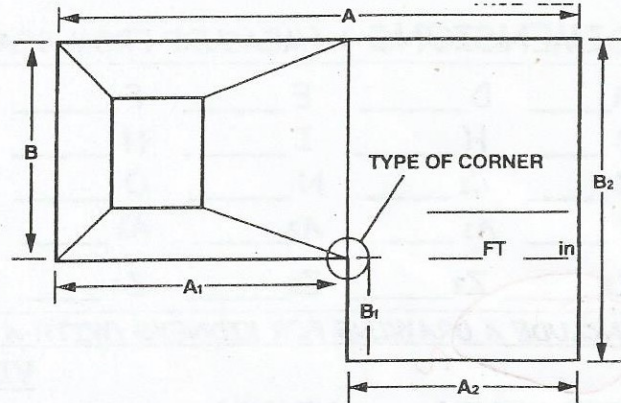
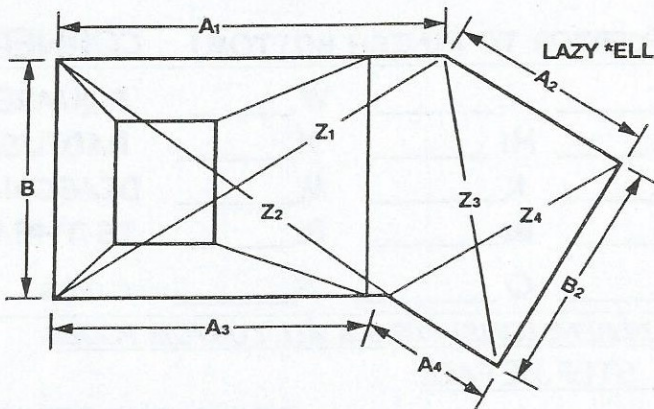
CONTOUR BOTTOM GRECIAN

SQUARE BOTTOM GRECIAN



LAZY "L" Right Left (shown)

TRUE "L" Right Left (shown)



Bottom Contour

